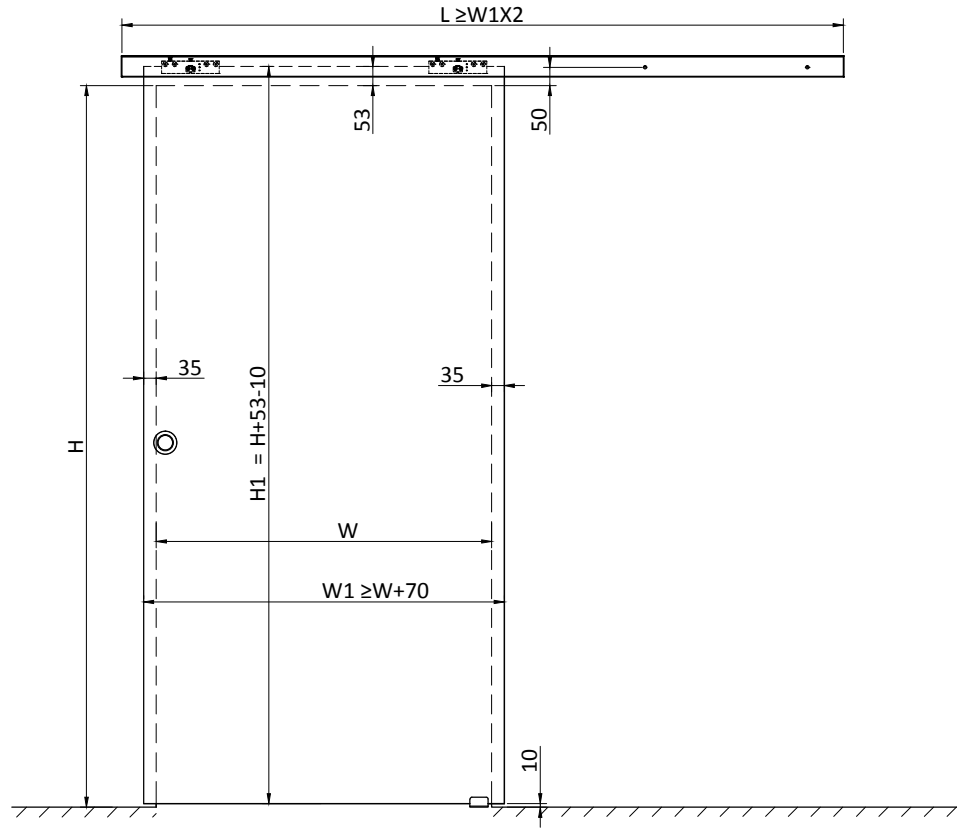
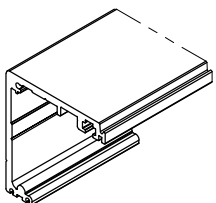
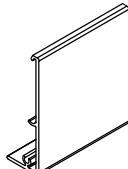
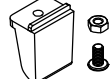
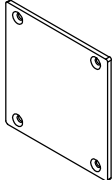
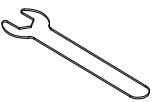
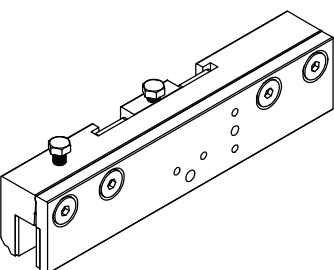
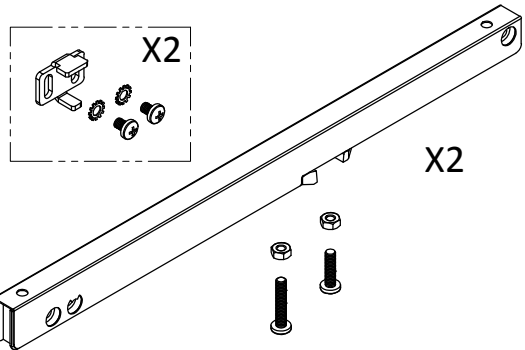
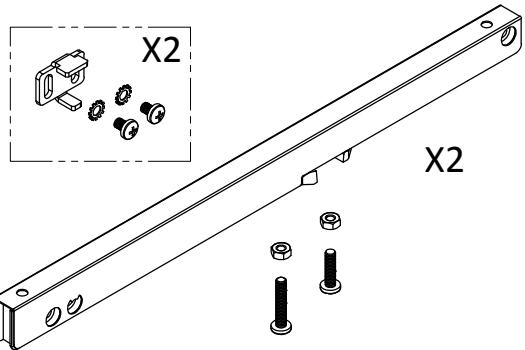
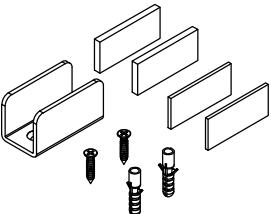
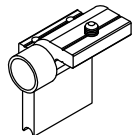
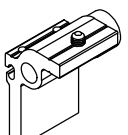
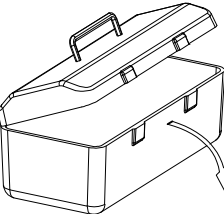



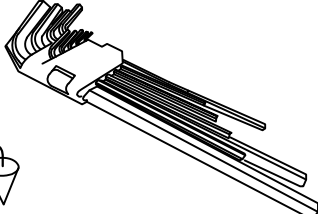
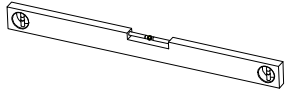
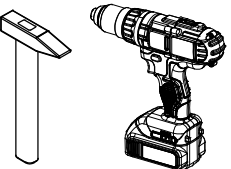



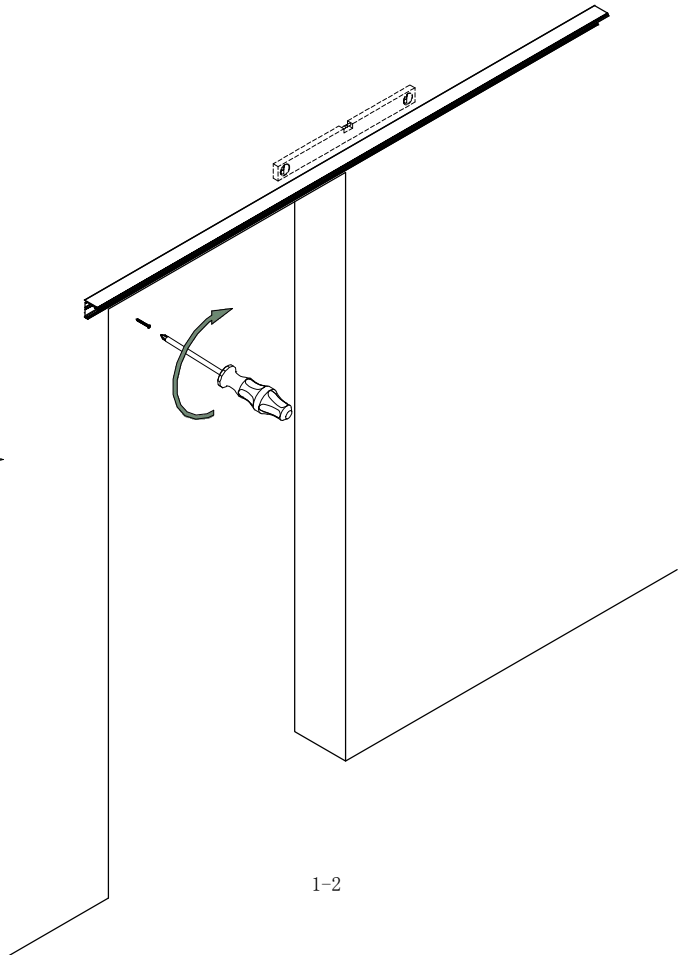
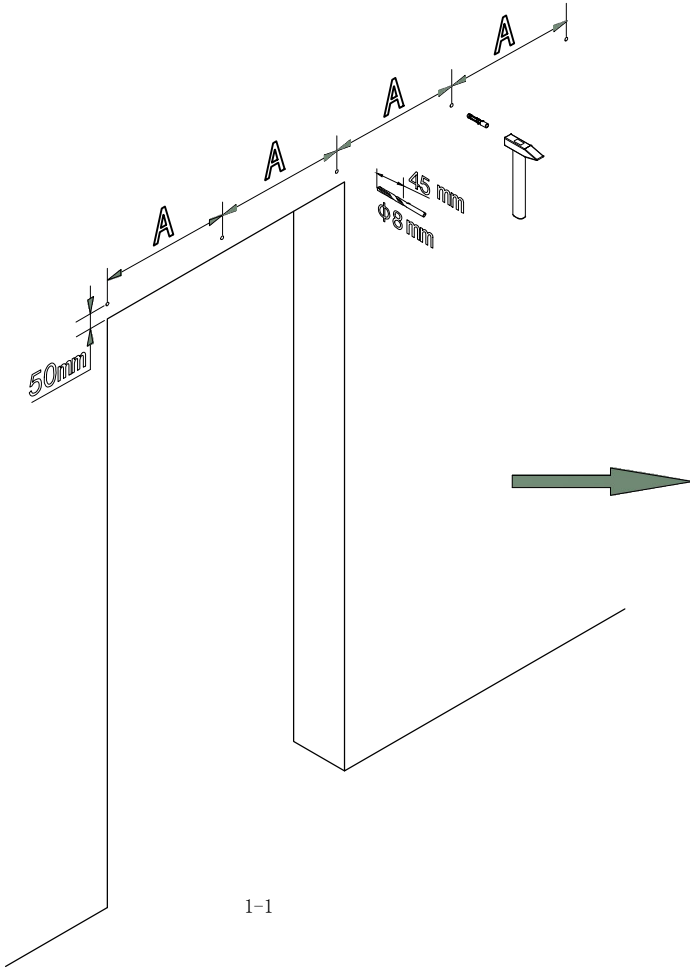
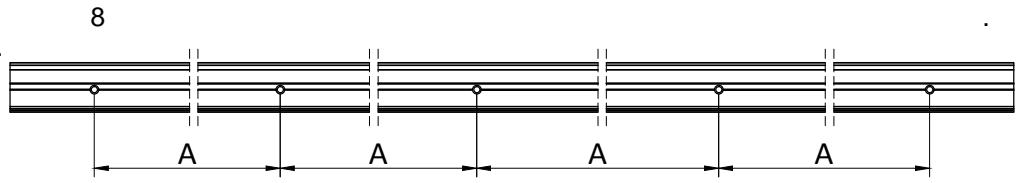


"DG-S-5"



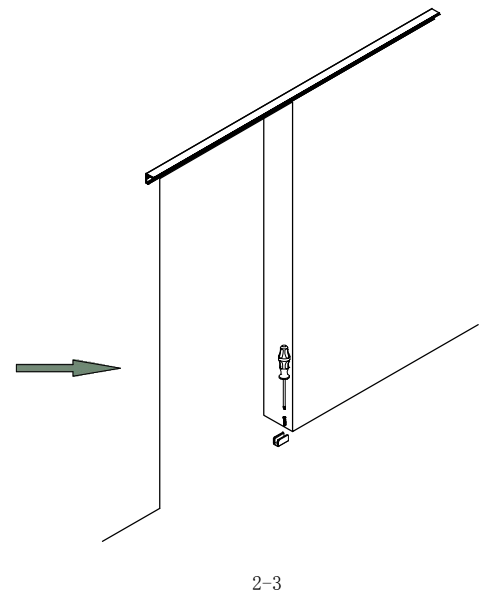
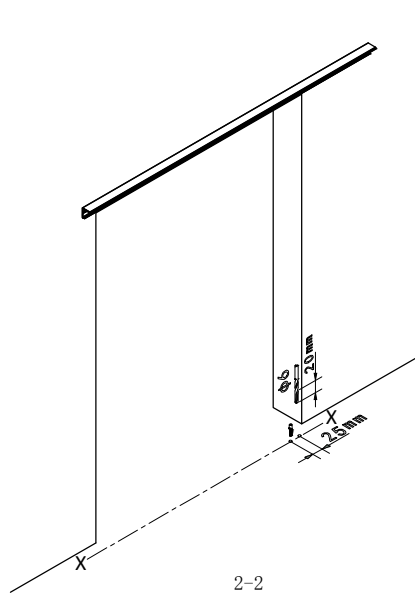
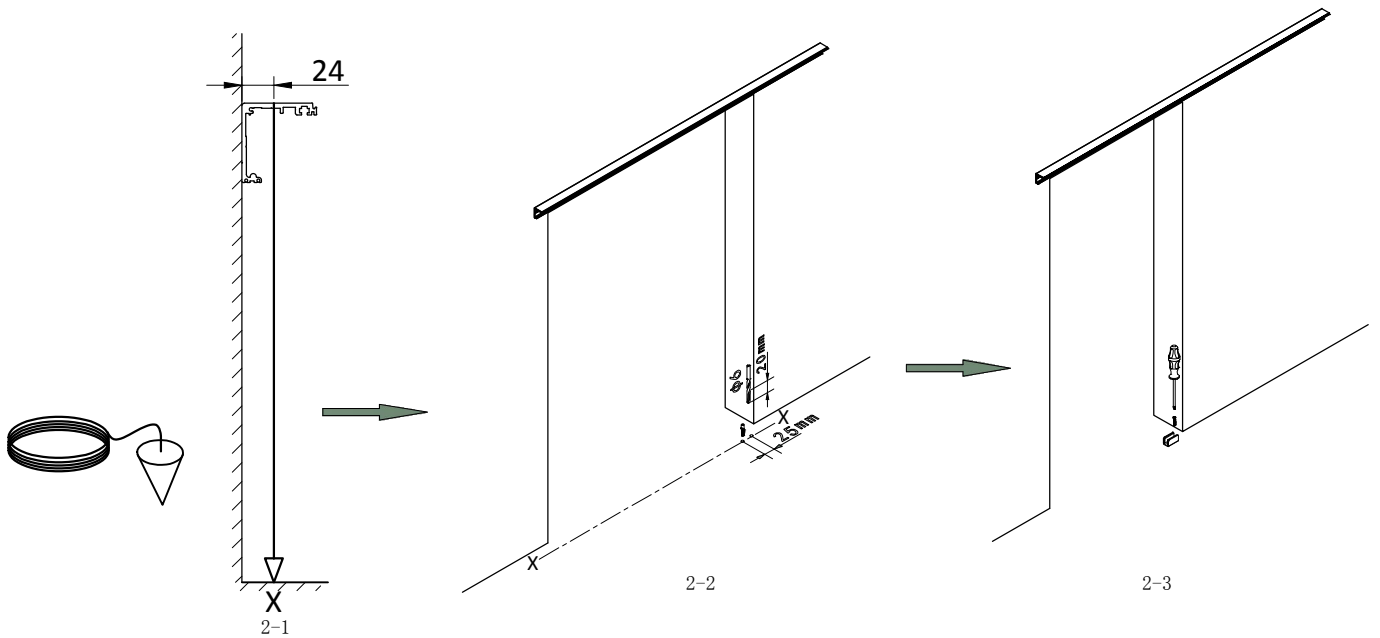
C				
 <p>X1</p>	 <p>X1</p>	 <p>2-3Pcs Per 1m</p>	 <p>X2</p>	 <p>X1</p>
 <p>X4</p>	 <p>X2</p>	 <p>X2</p>	 <p>X2</p>	 <p>X2</p>  <p>X2</p>
				
				
			 <p>φ10</p>	
			 <p>φ8</p>	
			 <p>φ6</p>	

1
1-1
1-2



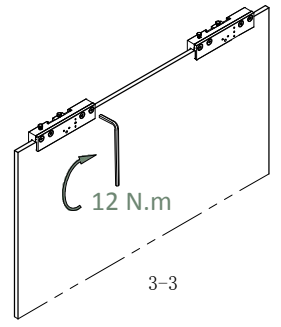
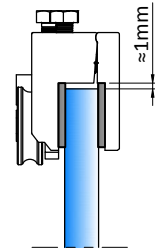
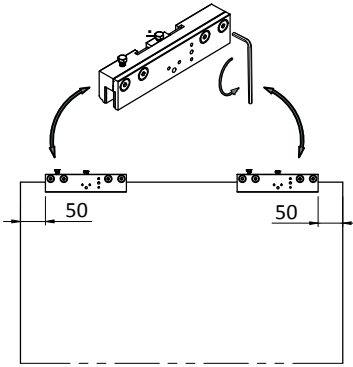
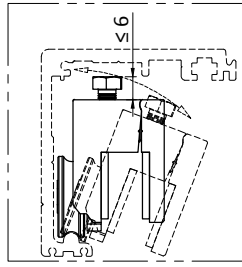
2-1
2-2
2-3

6 24 20

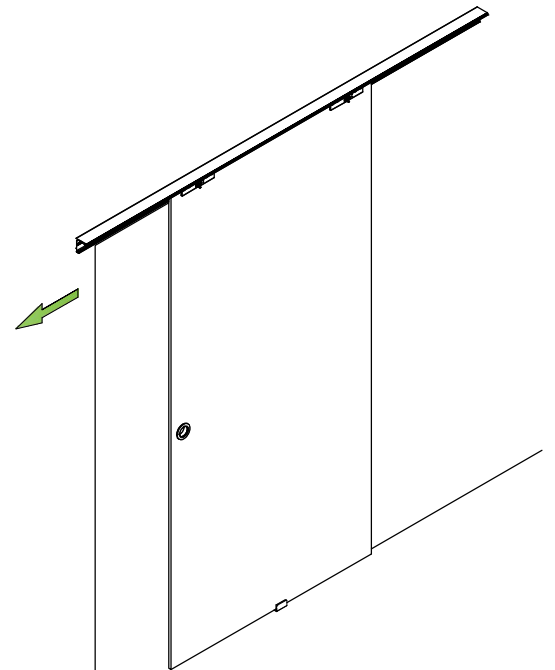
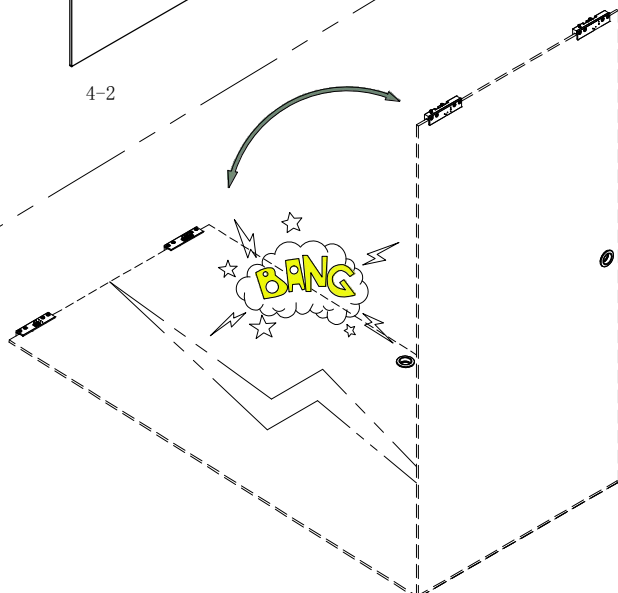
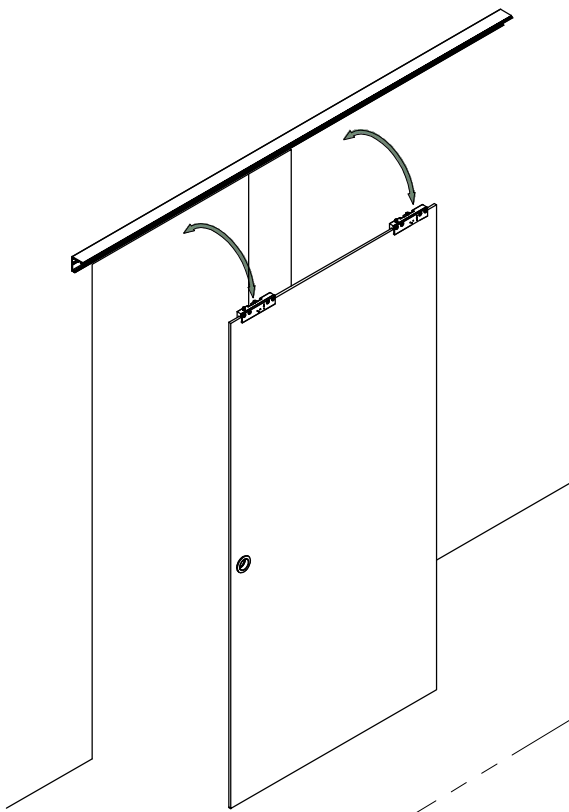
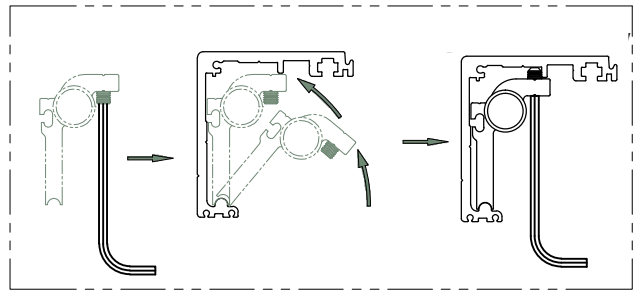


3
3-1
3-2
3-3
3-4

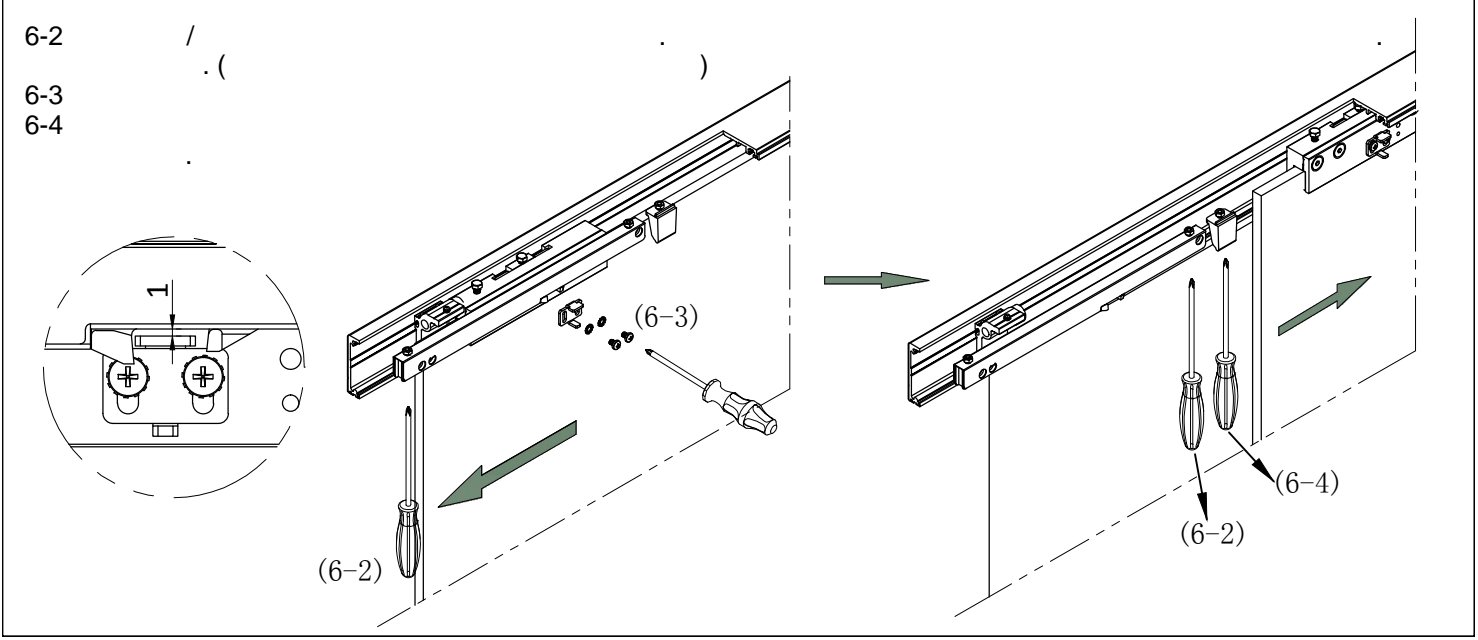
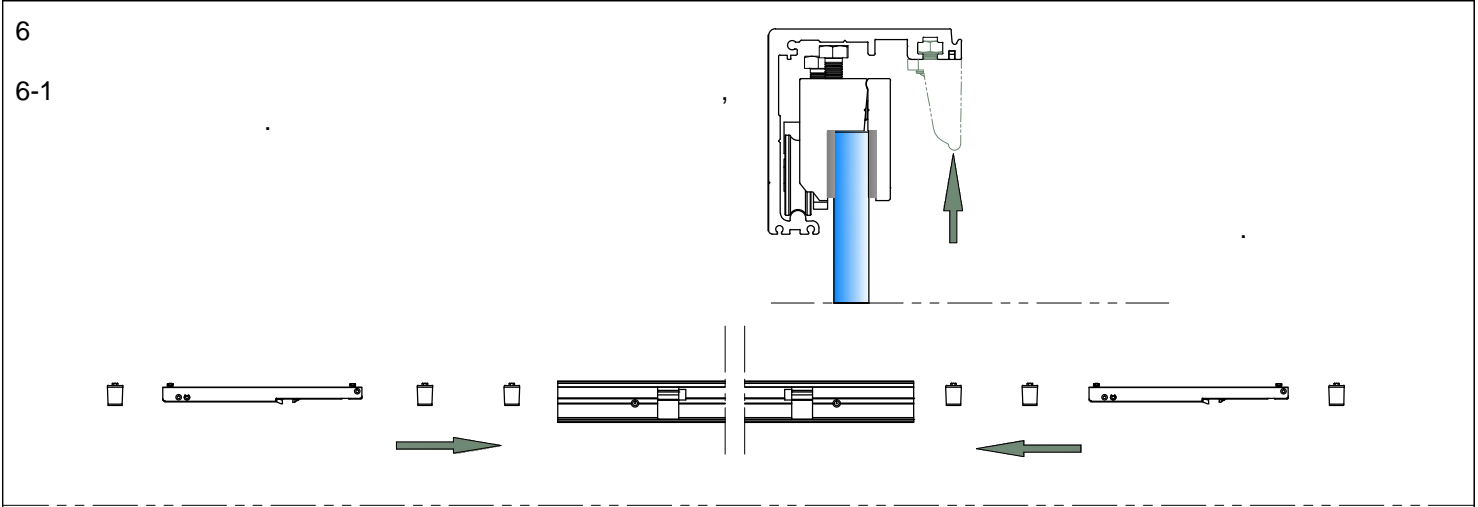
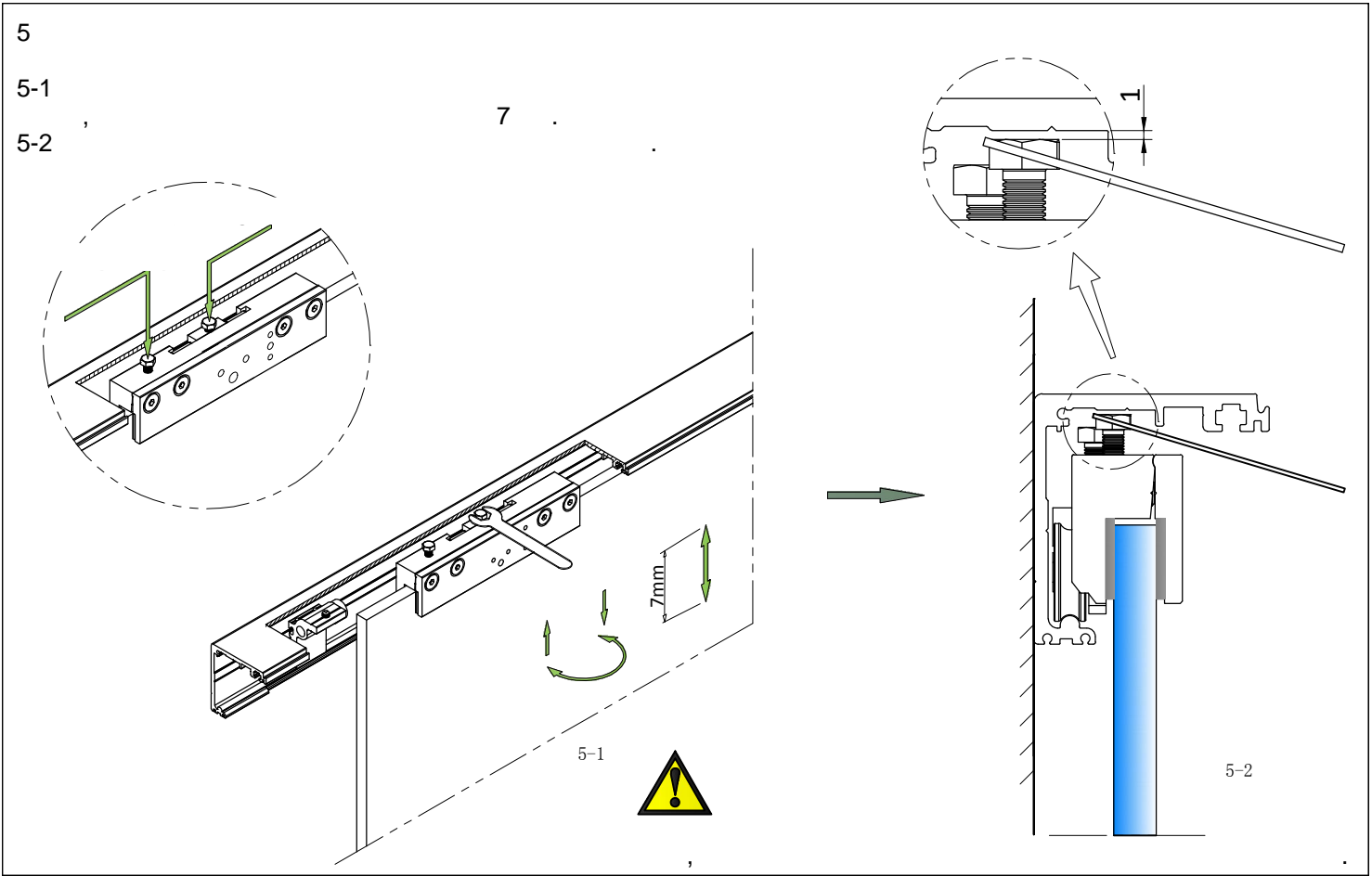
1
6



4
4-1
4-2
4-3



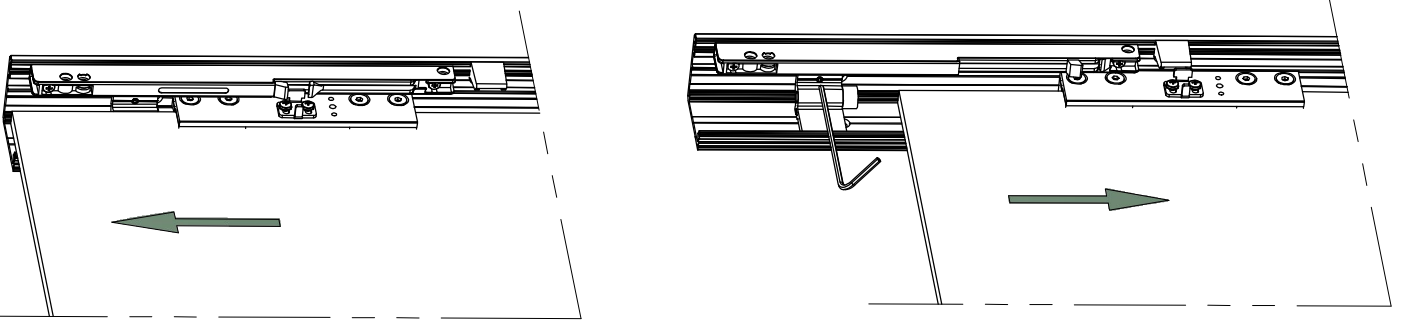
!



7

7-1 /

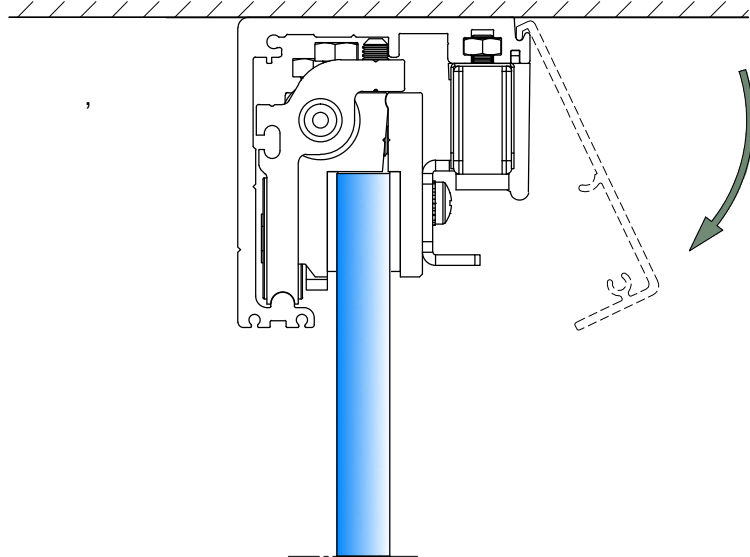
7-2



8

8-1

8-2



9

